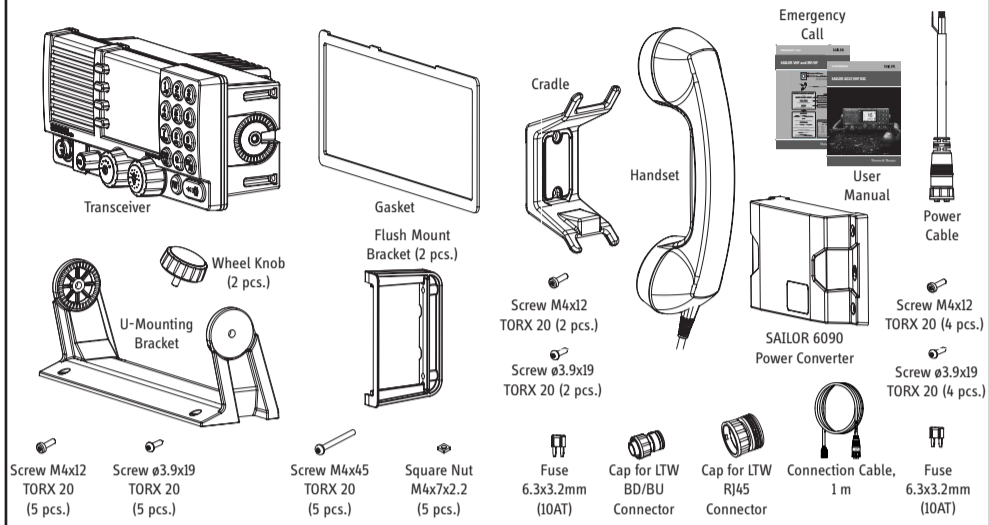
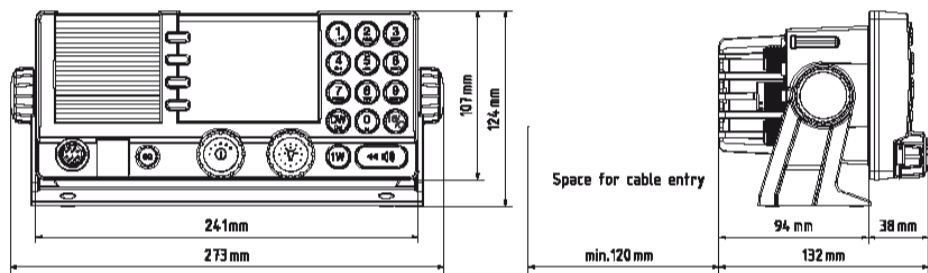


SAILOR 6222 VHF DSC

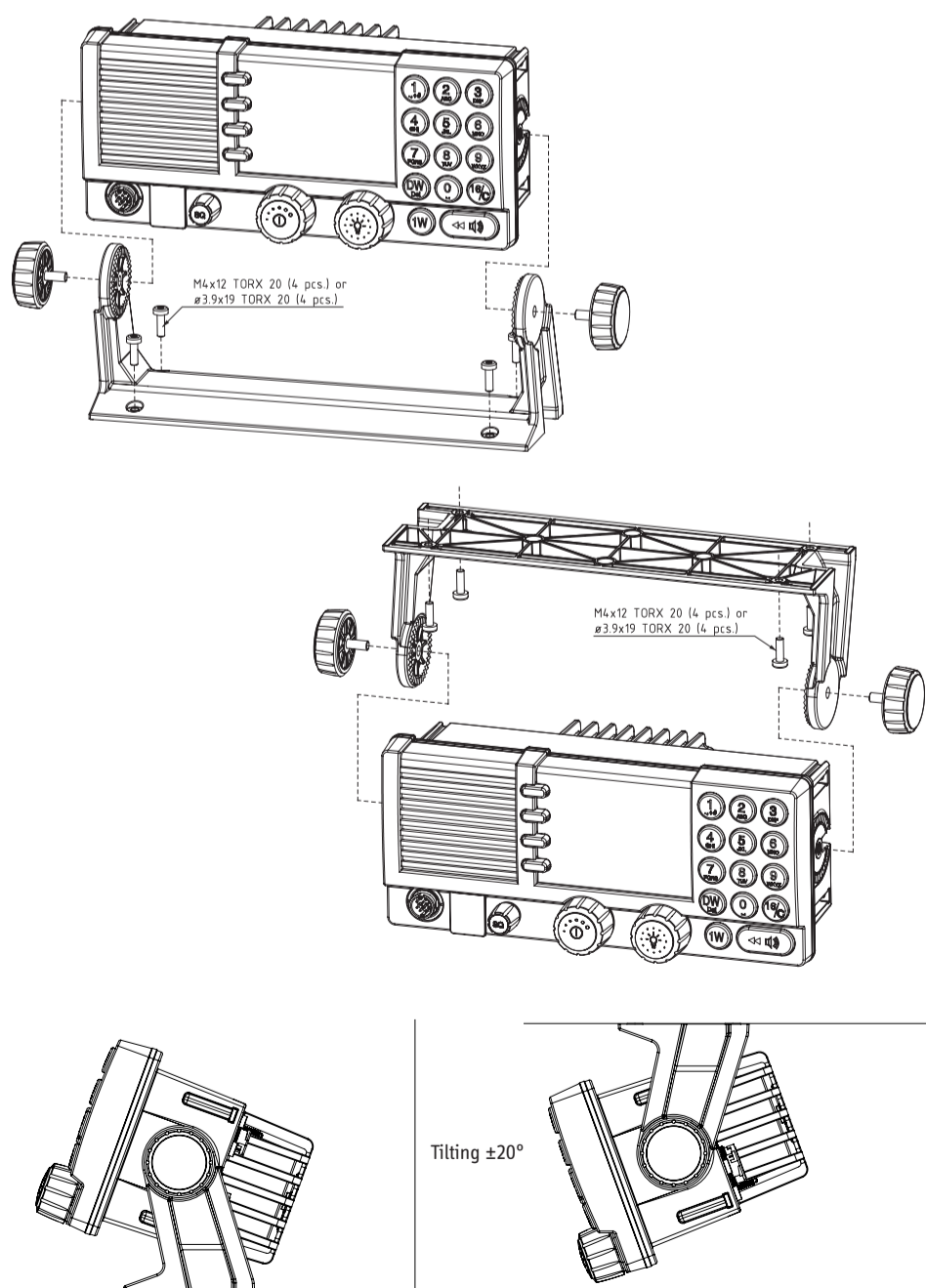
What's in the box?



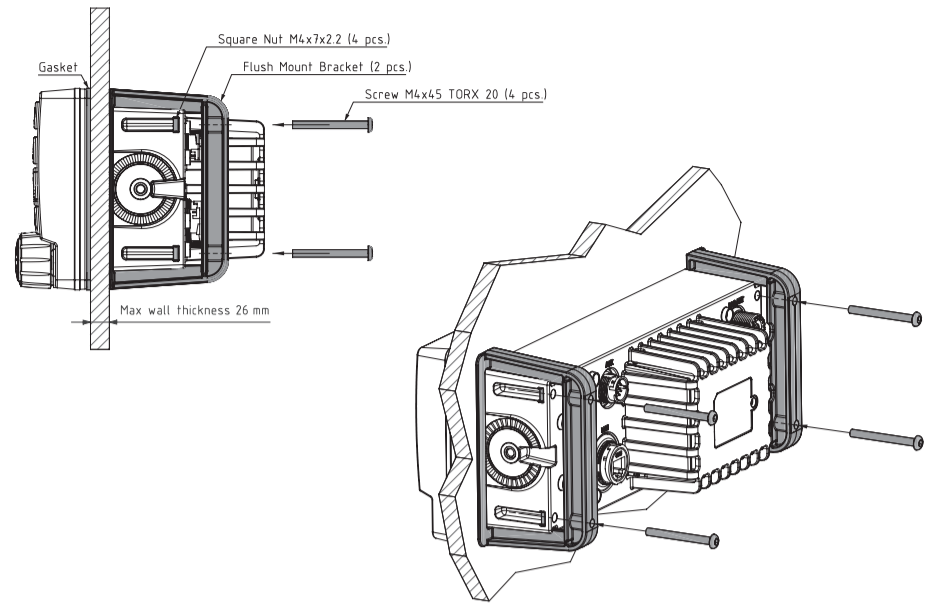
Dimensions for the SAILOR 6222 VHF DSC



How to install the VHF on desktop and overhead

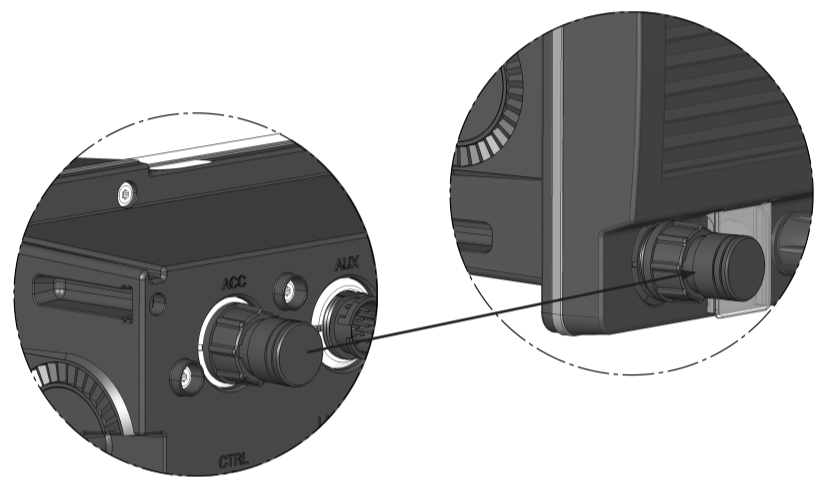


How to install the VHF flush mount



How to prevent water ingress

Connector for Handset or Hand Microphone - If not used, put the cap from the ACC connector on the front connector to prevent water ingress.

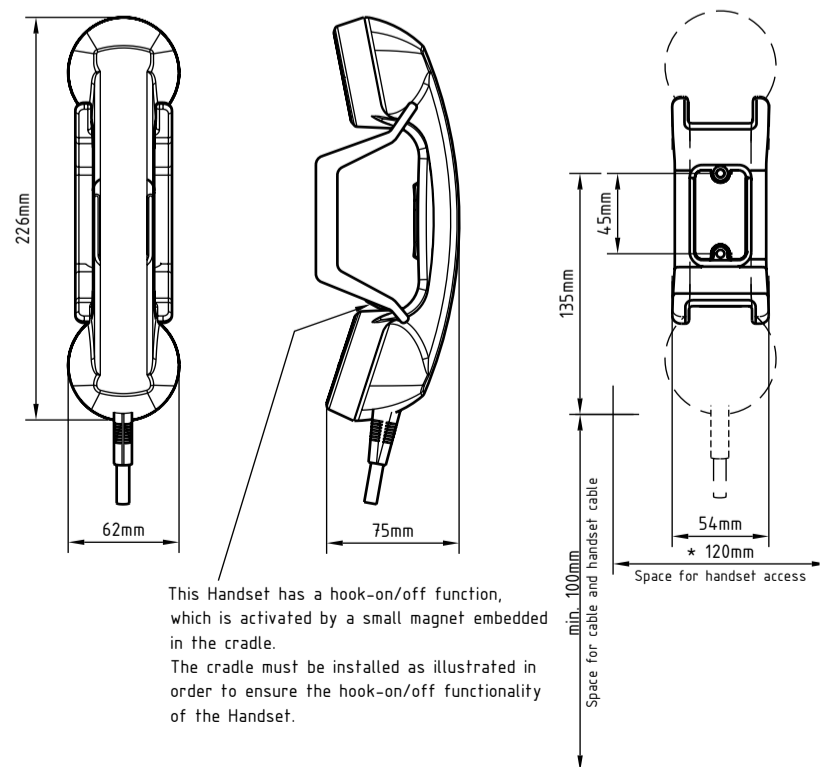


Very important information!

Do not remove the membrane. If you remove the membrane the radio will not be waterproof.

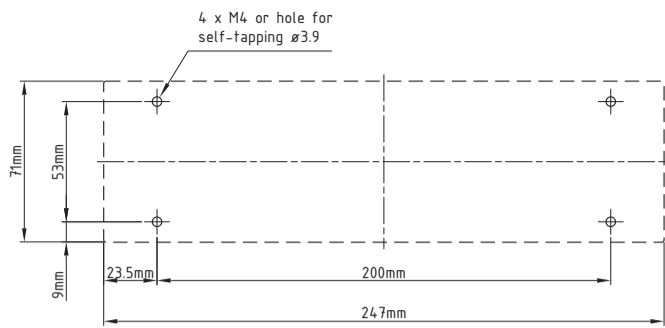


How to install the handset

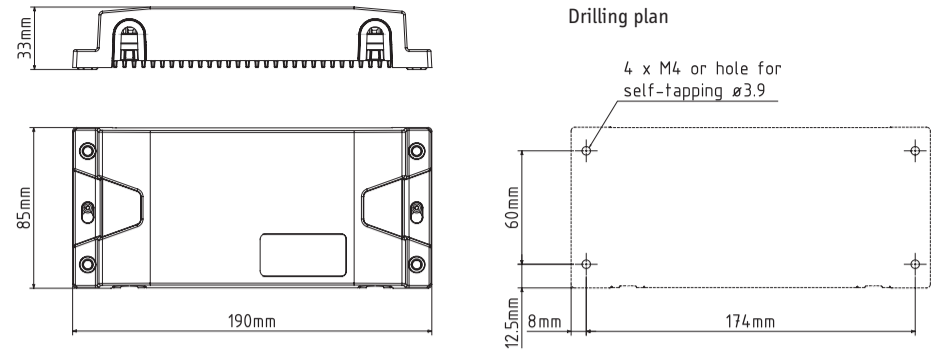


This Handset has a hook-on/off function, which is activated by a small magnet embedded in the cradle. The cradle must be installed as illustrated in order to ensure the hook-on/off functionality of the Handset.

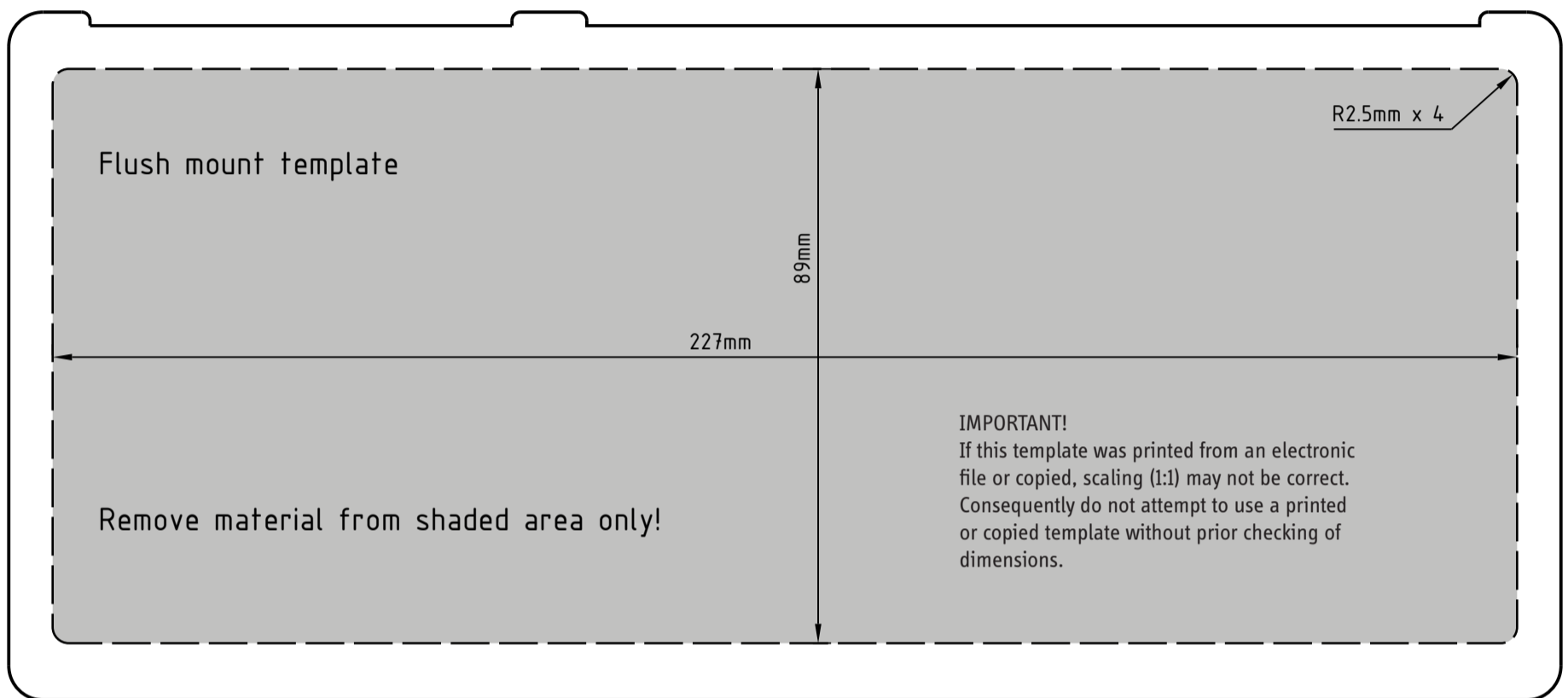
Drilling plan on desktop and overhead



How to install the SAILOR 6090 Power Converter

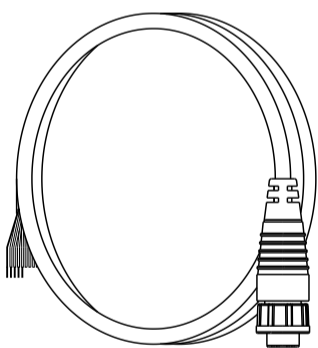


Cutout template for flush mounting of the VHF



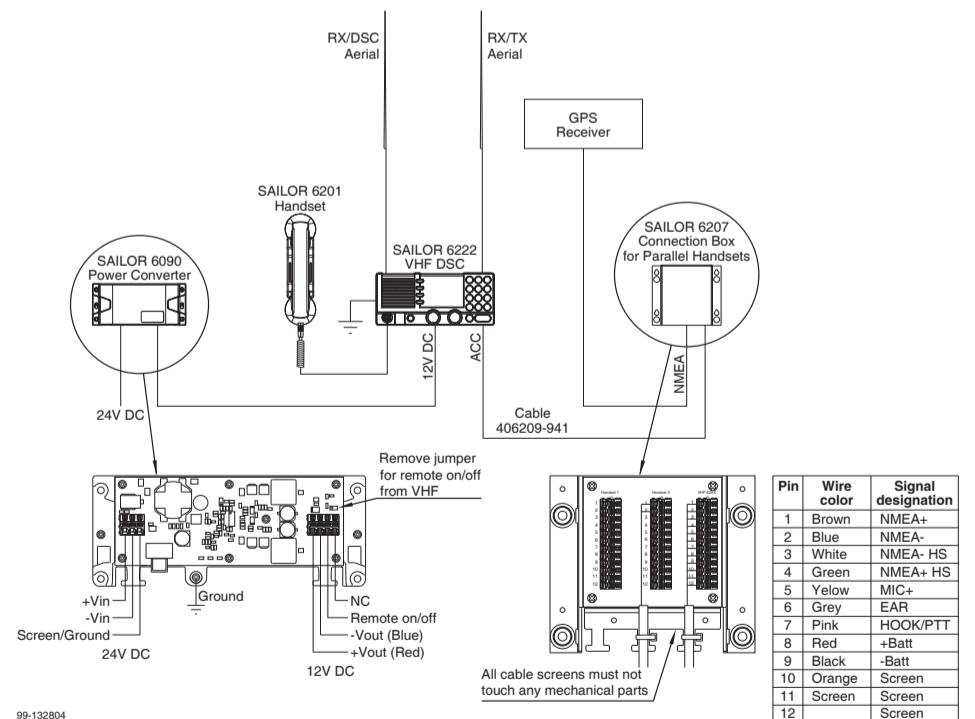
Scale 1:1

How to connect the GPS and the Chart Plotter - Cable connections



Description	Pin	Wire color	Pin assignments Front View
NMEA in+	1	Brown	
NMEA in-	2	Blue	
NMEA out-	3	White	
NMEA out+	4	Green	
Mike 2 / Line in	5	Yellow	
EAR 2 / Line out	6	Grey	
Hook_PTT	7	Pink	
Battery Supply when radio is on	8	Red	
Internal GND = - Battery	9	Black	
Internal GND = - Battery	10	Orange - SCREEN (Drain)	

System Configuration - Example



For further information, please download the installation manual part no. 98-135548 at <http://esupport.thrane.com>